



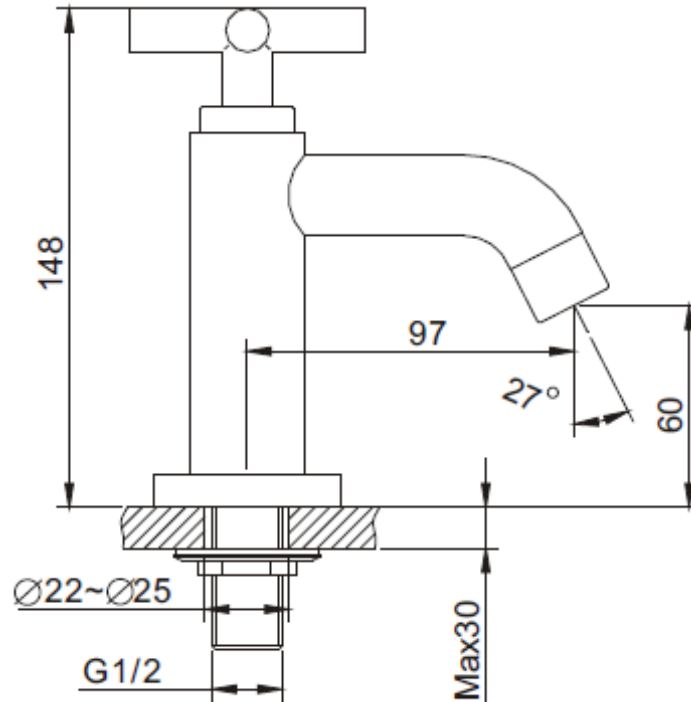
Brand : CAE, China
Name : AMANDA VICTORIA Basin pillar tap

Item Code : 07.015C SP

Color / Finish: Chrome Plated
Dimensions : 148mm height
97mm spout projection

Product info:

- Basin pillar tap cross handle
- without pop-up
- normal spray
- flow rate: 10.7 lpm at 3 bars (45 psi)
- flow pressure: 0.3Mpa
- 1x angle valve ½"x½" (no nut)
- 1x basin waste strainer or pop-up
- 1x basin waste trap 1¼"



Flushing of pipe must be done before fittings are installed. Failure to do so voids the warranty.
Follow cleaning instructions and avoid using any harmful chemicals.
All information is for reference only. Installation shall always be based on the specs provided with actual delivered items.
For more info, visit www.sanitecph.com